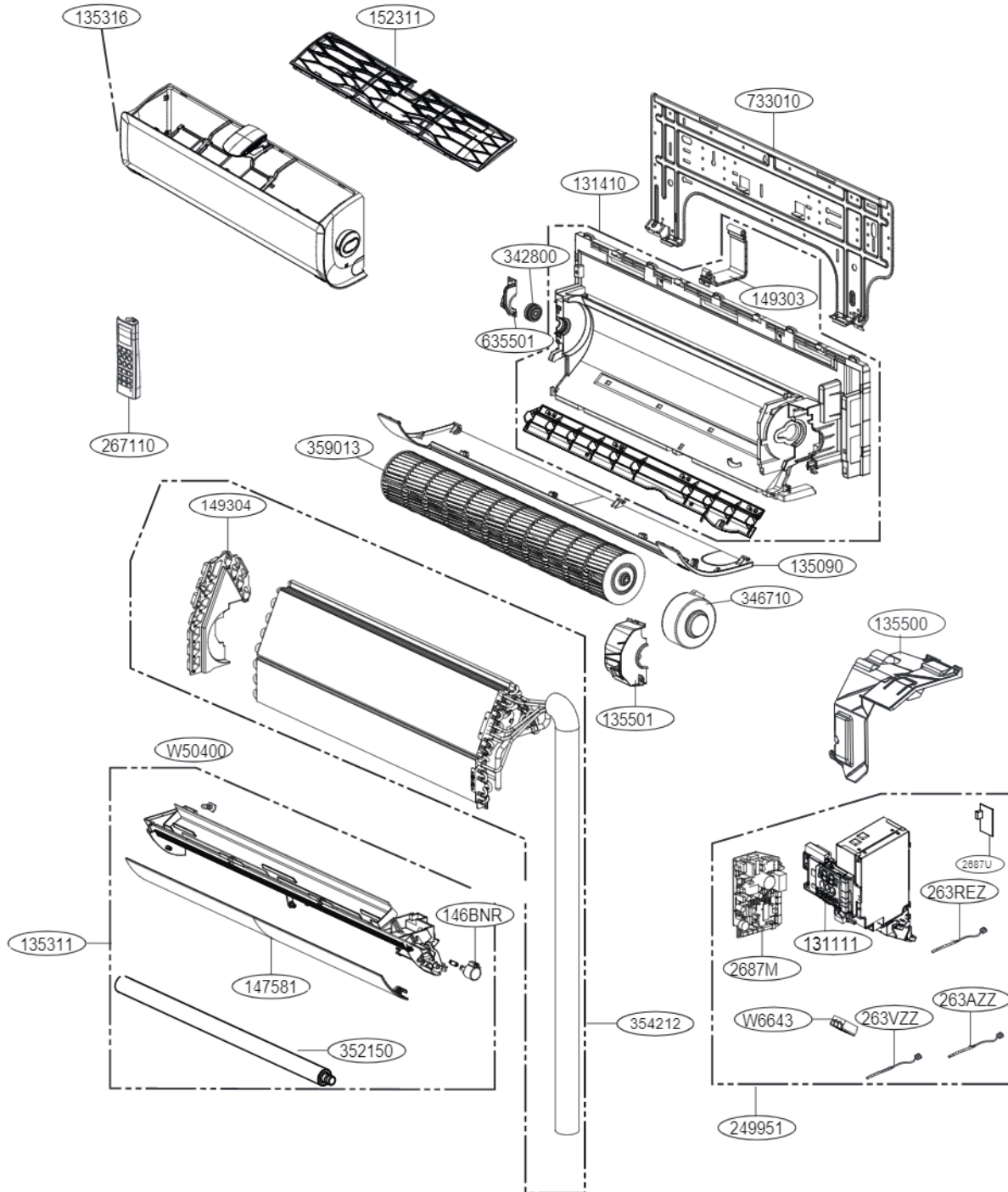


5. Exploded

Indoor Unit



LOC.	Description	PCB Connector
263REZ	Thermistor for indoor air temperature	CN-TH1 (INDOOR)
	Thermistor for evaporator inlet temperature	CN-TH1 (INDOOR)
263VZZ	Thermistor for evaporator middle temperature	CN-TH3 (INDOOR)
263AZZ	Thermistor for evaporator outlet temperature	CN-TH2 (INDOOR)