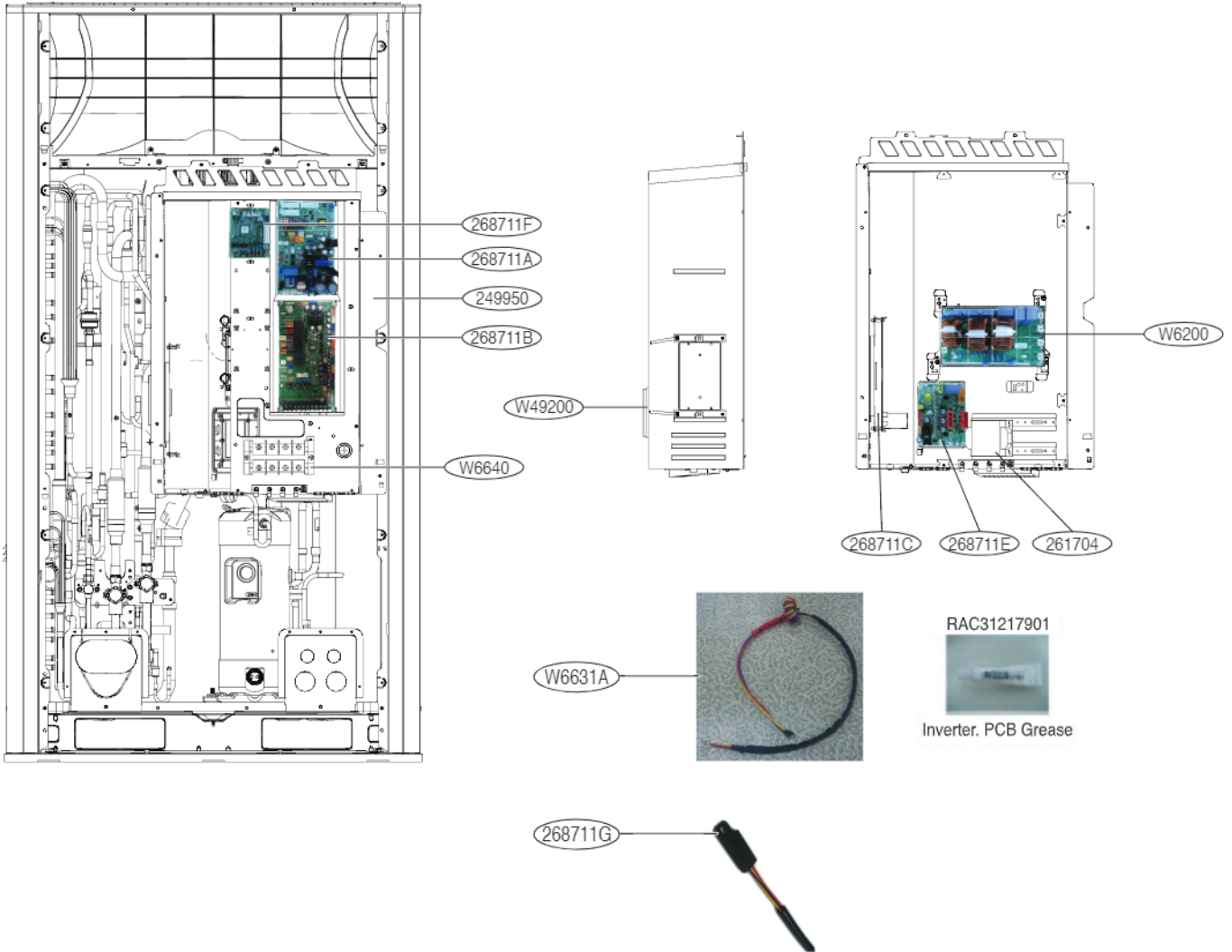


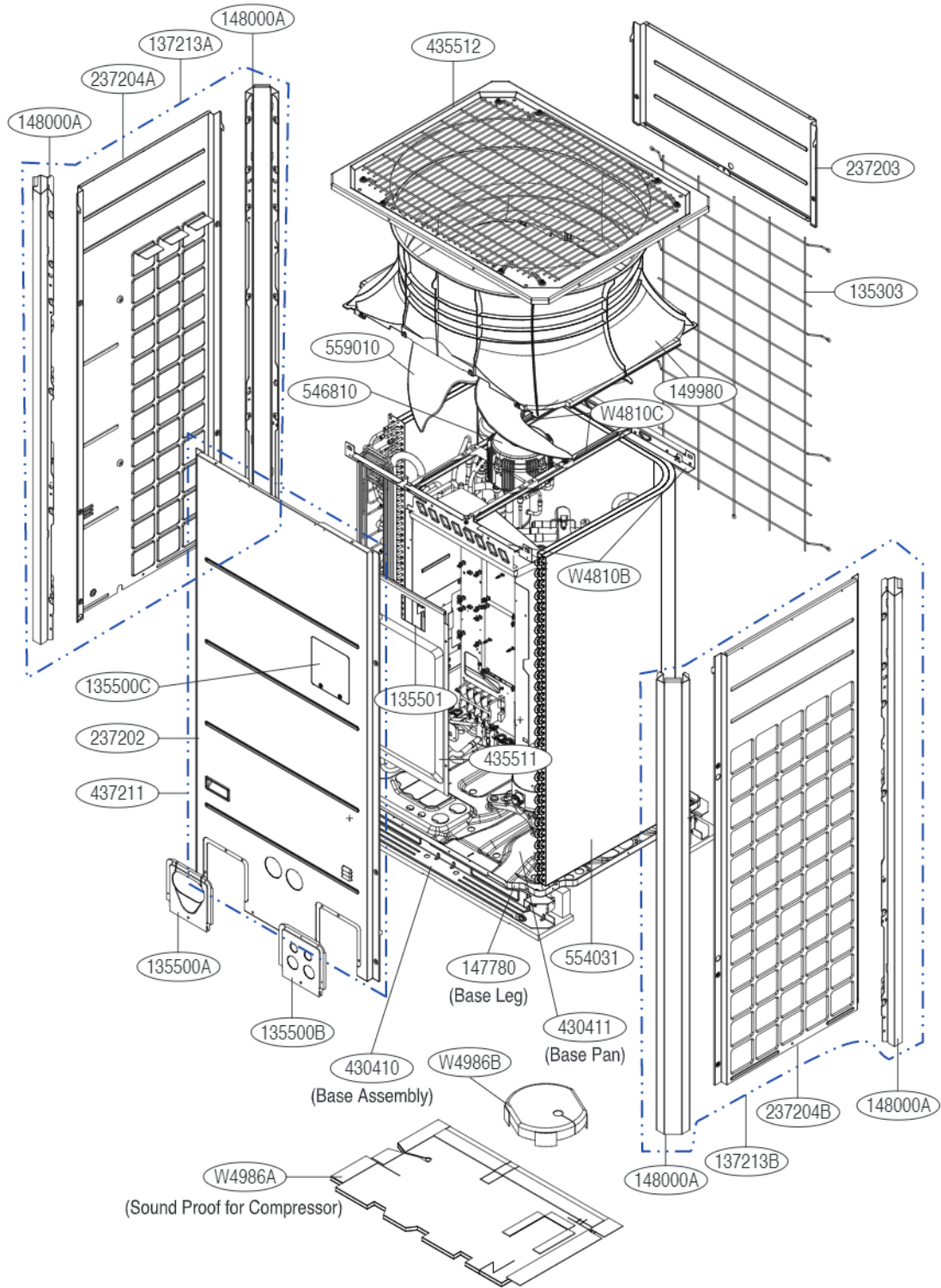
8. Exploded View

Outdoor Unit

6.1.1 8~12 HP (UXA)

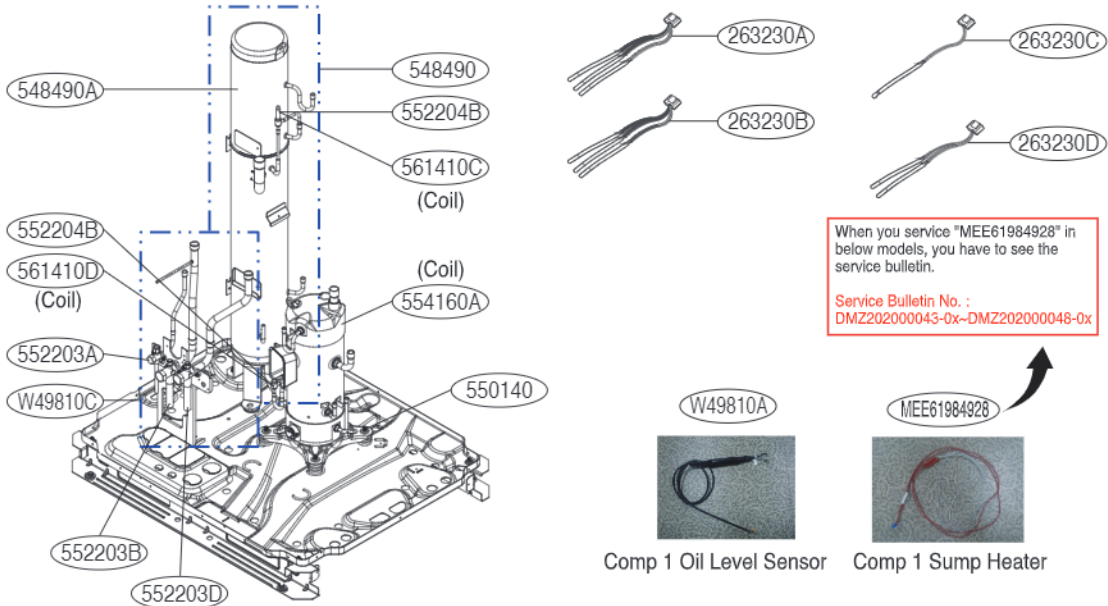
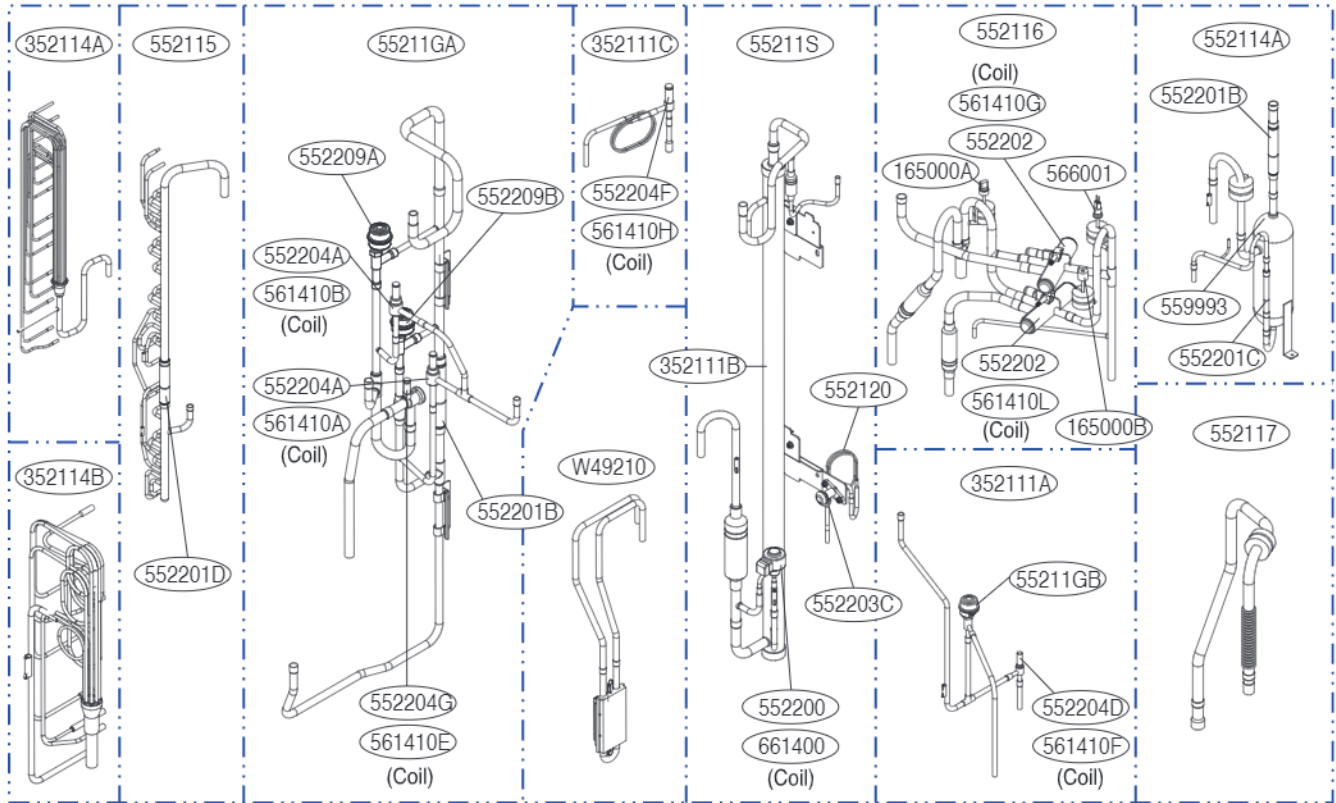


Part	SVC Location NO.	Description
Control Box	249950	Case Assembly, Control Box
Main PCB	268711A	PCB Assembly, Cycle(Onboarding)
External PCB	268711B	PCB Assembly, Main
Inverter PCB	268711C	PCB Assembly, Inv(Onboarding)
Fan PCB	268711E	PCB Assembly, Fan(Onboarding)
Option PCB	268711F	PCB Assembly, Sub
Noise Filter PCB	W6200	Filter, AC Line



10,12 HP (UXA)

※ If the serial number is 008, please check visual and P/No. first, then choose the correct P/No.
 Service Bulletin No : DMZ202000086-01, DMZ202000102-01



Part	L/No	Sensor location	Housing color
Temp. Sensor 1	263230A	Air	Green
Temp. Sensor 2	263230B	Suction Pipe + HEX1(Temp. Sensor) + Inverter1 Discharge	Violet
Temp. Sensor 3	263230C	Sub Cool Out + HEX2(Upper Temp. Sensor) + Liquid Pipe	Yellow
Temp. Sensor 4	263230D	HEX3(Low Temp. Sensor) + Sub Cool In	Black