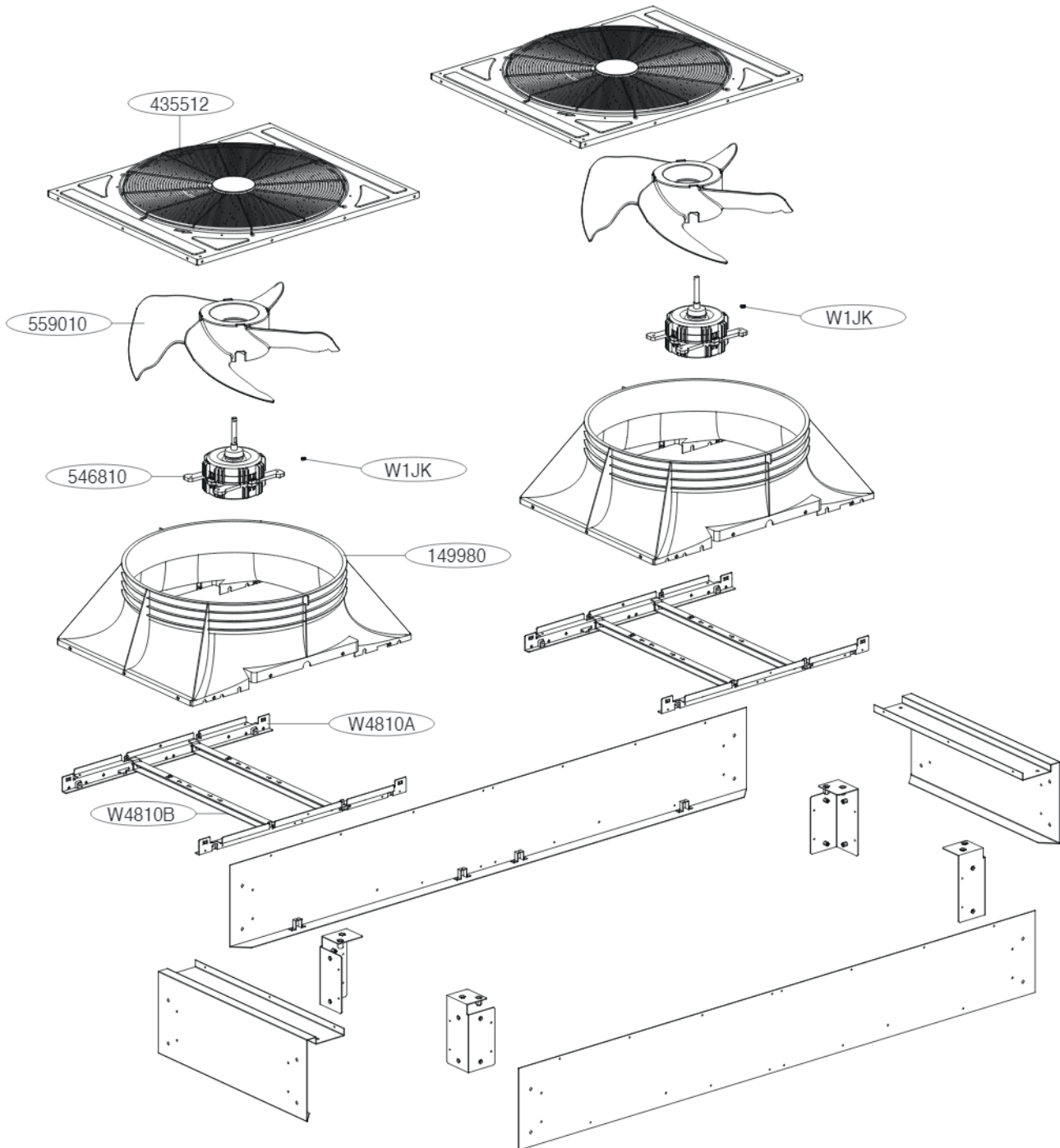


6. Exploded View

6.1 Fan Assembly

20,23 RT



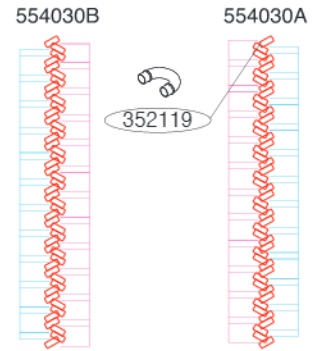
6.2 Condenser Assembly

20,23 RT

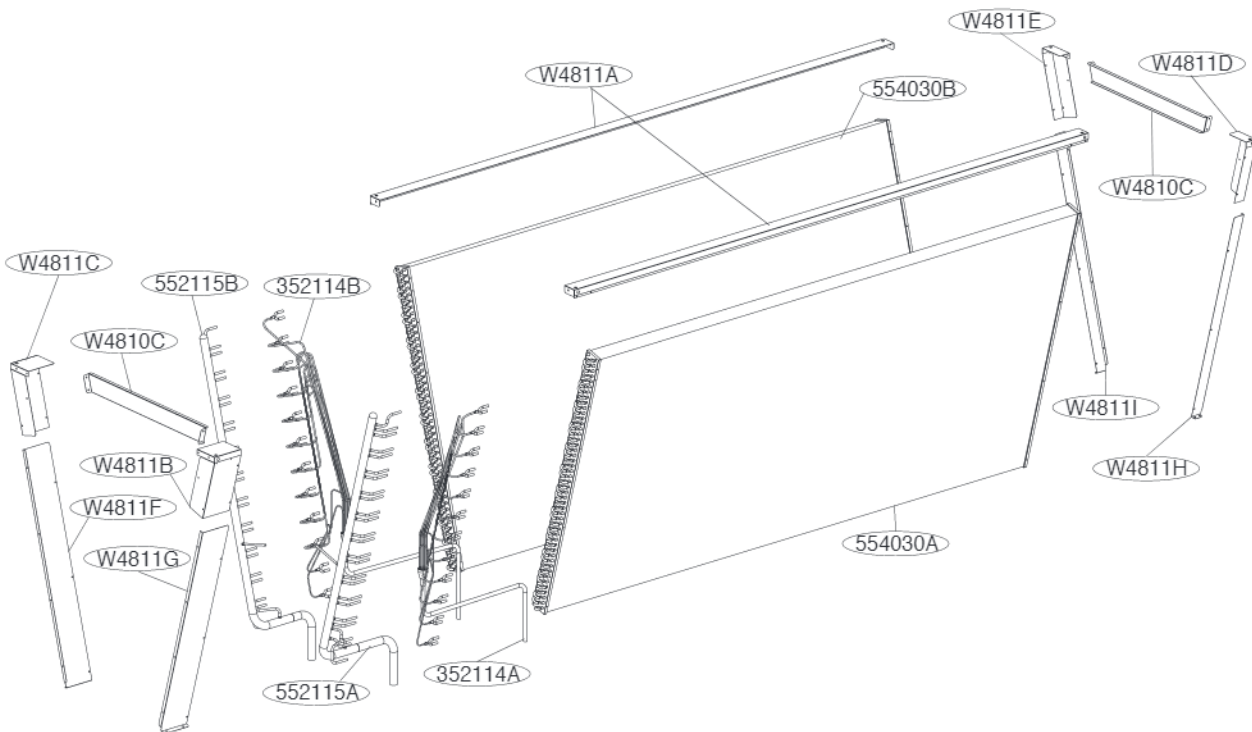
• Condenser Assembly Required parts

| Condenser Module | | |
|---------------------------------|---------|-----|
| Description | L/No. | Qty |
| Condenser Assembly,First | 554030A | 1 |
| Tube Assembly,Distributor | 352114A | 1 |
| Tube Assembly,Manifold(Outdoor) | 552115A | 1 |
| Condenser Assembly,First | 554030B | 1 |
| Tube Assembly,Distributor | 352114B | 1 |
| Tube Assembly,Manifold(Outdoor) | 552115B | 1 |

• Condenser Assembly



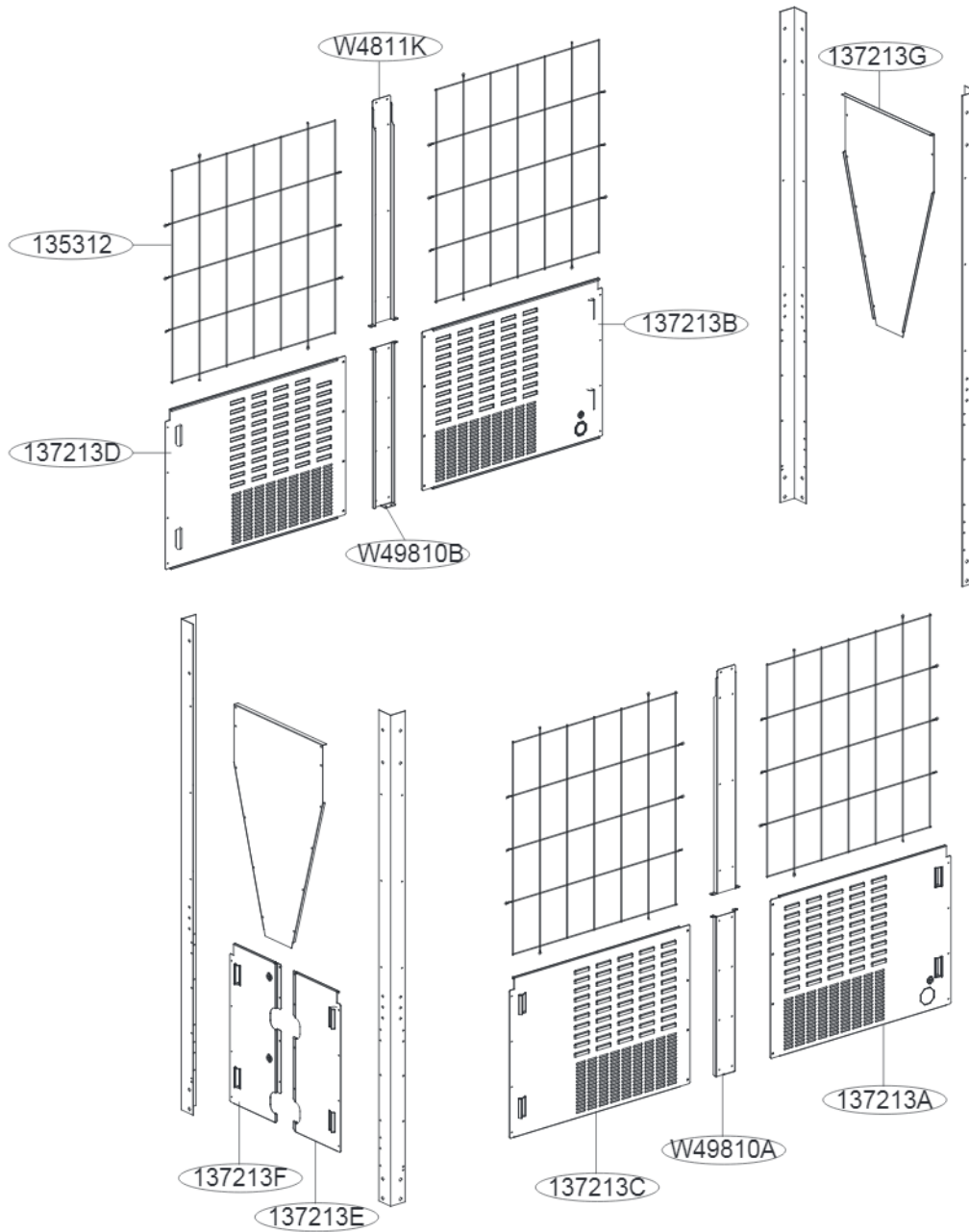
352114B 552115B 552115A 352114A



6.3 Structure Parts

■ Plate Type Heat Exchanger Model (ACHH***LBAB)

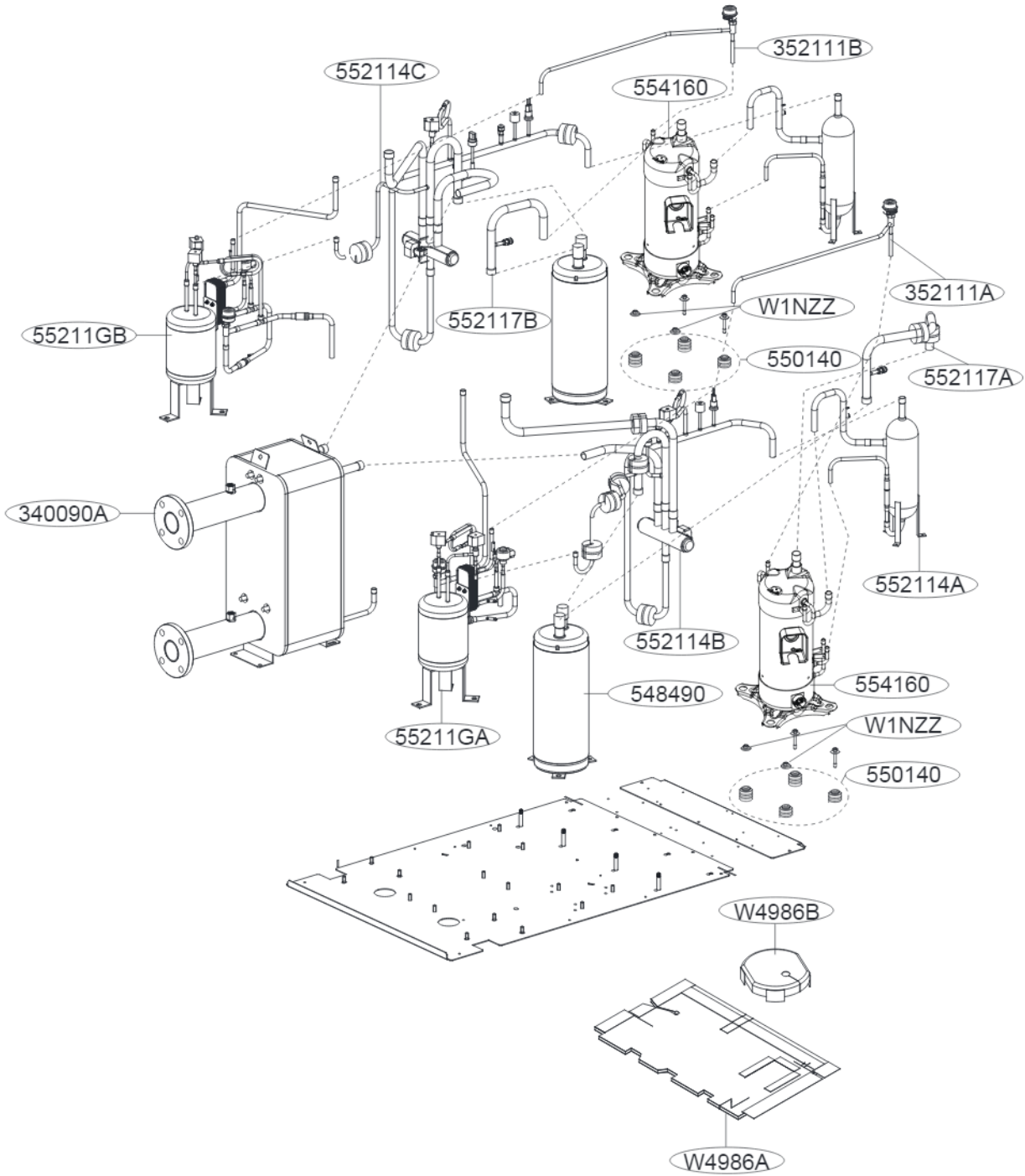
20,23 RT



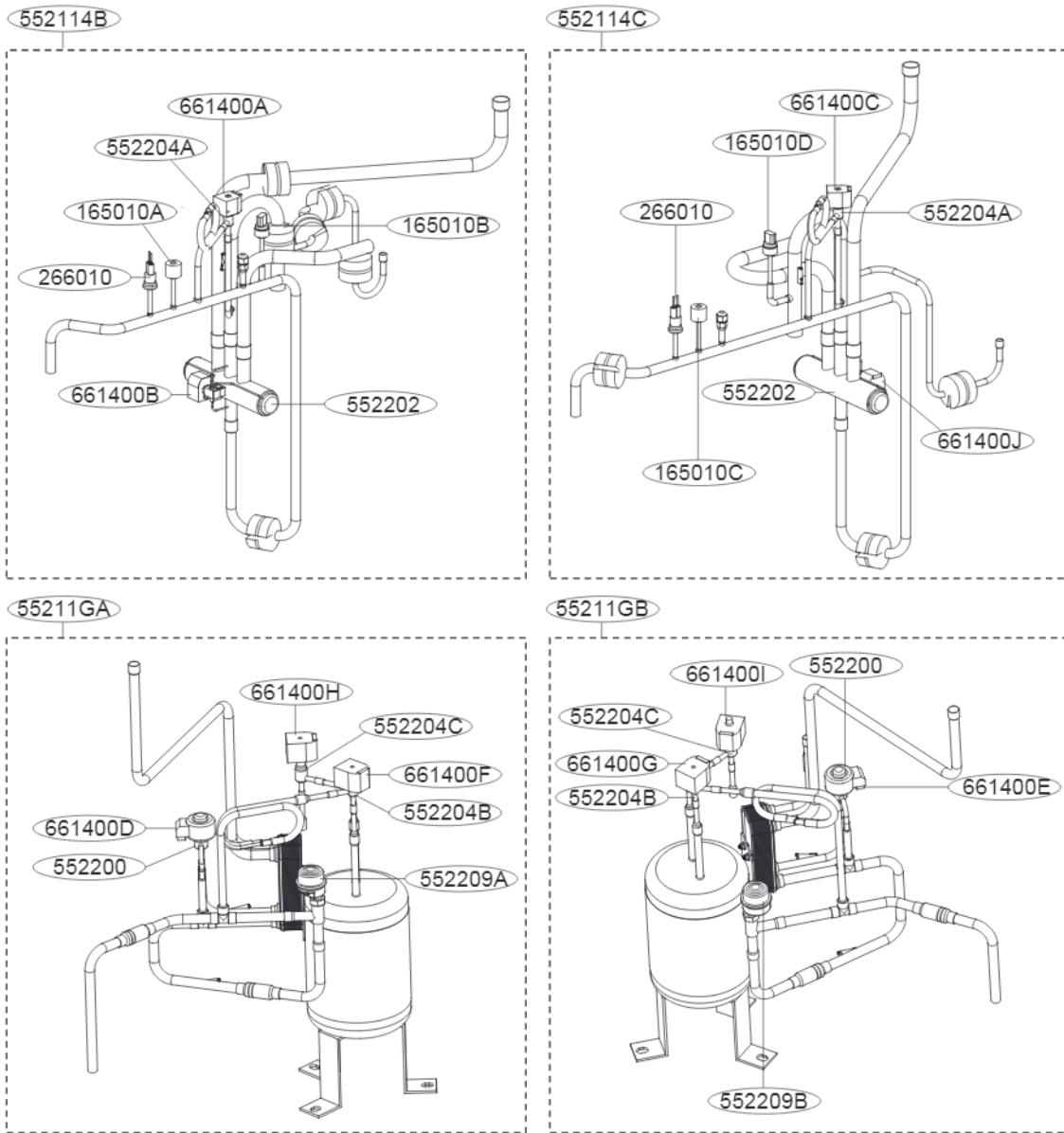
6.4 Cycle Parts

■ Plate Type Heat Exchanger Model (ACHH***LBAB)

20,23 RT



Valve, Sensor parts

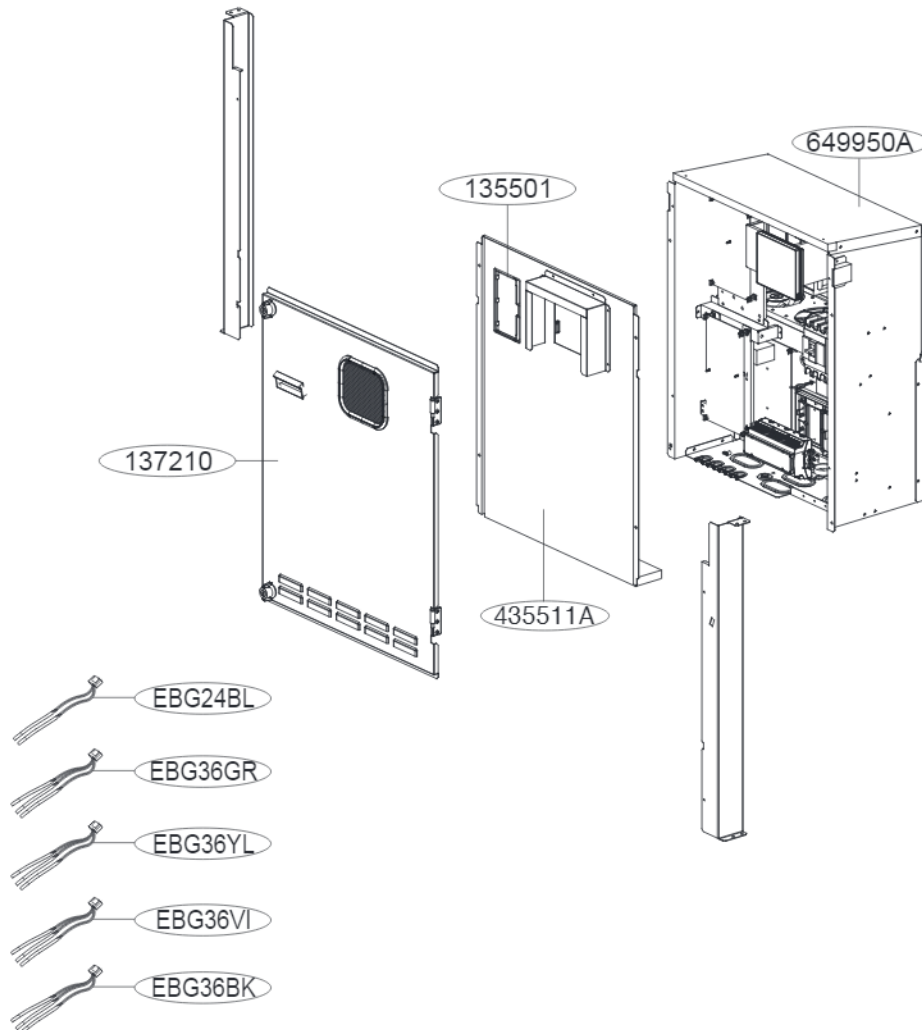


| Product name | Location No. | Positon | Housing Color |
|--------------------------|--------------|----------------------------------|---------------|
| Switch Assembly.Pressure | 266010 | Discharge Pipe(High pressure) | Blue |
| Sensor Assembly | 165010A | #1 Discharge Pipe(High pressure) | White |
| Sensor Assembly | 165010B | #1 Suction Pipe(Low pressure) | Black |
| Sensor Assembly | 165010C | #2 Discharge Pipe(High pressure) | Red |
| Sensor Assembly | 165010D | #2 Suction Pipe(Low pressure) | Blue |
| Coil | 661400A | #1 Hot gas | White |
| Coil | 661400C | #2 Hot gas | Violet |
| Coil | 661400B | #1 4Way | Violet |
| Coil | 661400J | #2 4Way | Black |
| Coil | 661400D | #1 SC EEV | Blue |
| Coil | 661400E | #2 SC EEV | Gray |
| Coil | 661400F | #1 Receiver in | Red |
| Coil | 661400G | #2 Receiver in | White |
| Coil | 661400H | #1 Receiver Out | Orange |
| Coil | 661400I | #2 Receiver Out | Brown |
| Valve Assembly | 552209A | #1 Main EEV | Red |
| Valve Assembly | 552209B | #2 Main EEV | White |

6.5 Base Structure, Control Box Structure

■ Plate Type Heat Exchanger Model (ACHH***LBAB)

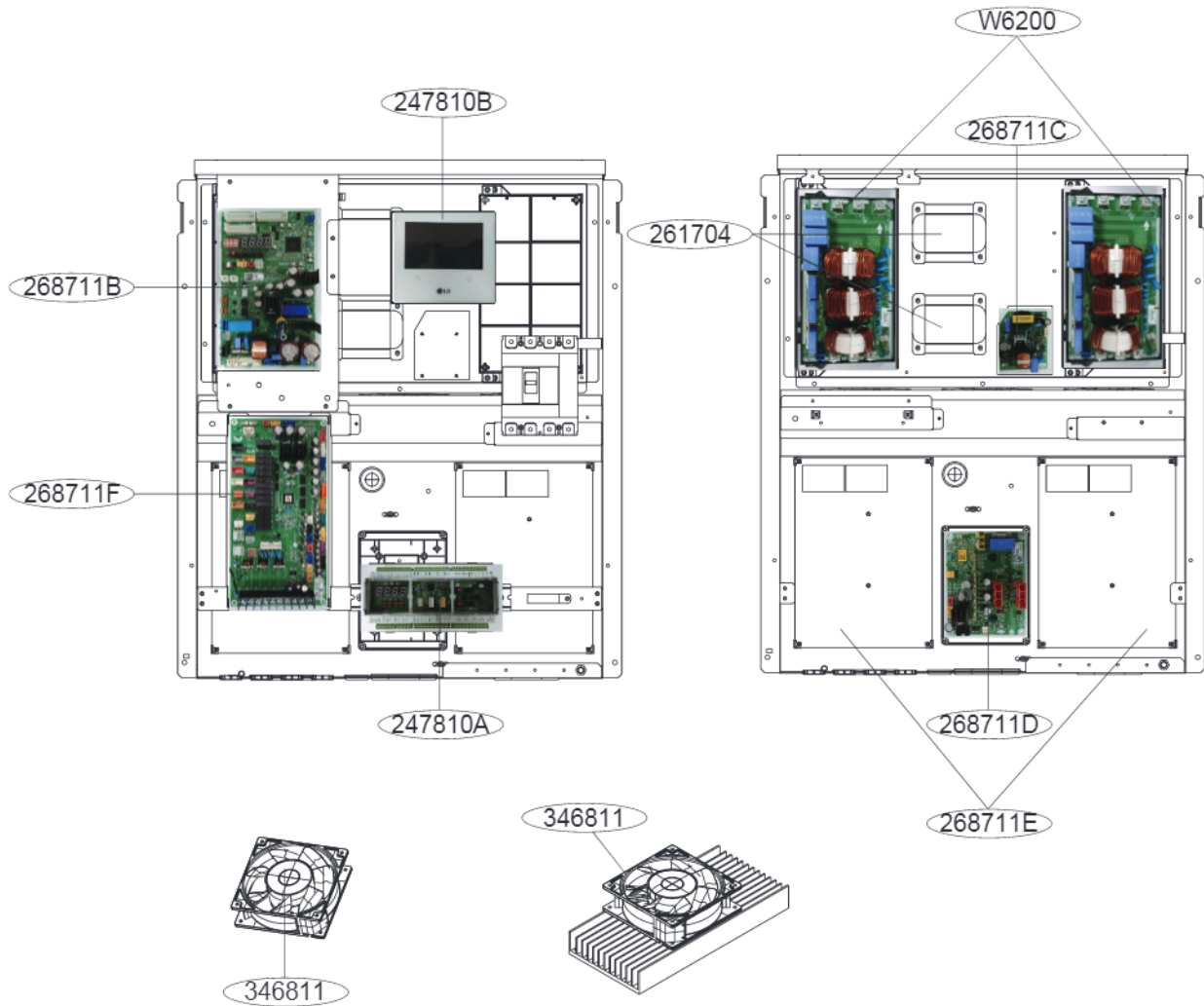
20,23 RT



| Product name | Location No. | Position | Housing color |
|-------------------------|--------------|---|---------------|
| Thermistor Assembly,NTC | EBG24BL | Water Pipe Inlet+Outlet | Blue |
| Thermistor Assembly,NTC | EBG36GR | Comp1 Discharge+Liquid pipe +Suction pipe | Green |
| Thermistor Assembly,NTC | EBG36YL | Comp2 Discharge+Liquid pipe +Suction pipe | Yellow |
| Thermistor Assembly,NTC | EBG36VI | Comp1 Hex+SC Out + SC In | Violet |
| Thermistor Assembly,NTC | EBG36BK | Comp2 Hex+ SC Out + SC In | Black |

6.6 Control Box Parts

■ Plate Type Heat Exchanger Model (ACHH***LBAB)



| Product name | Location No. | Position | Remarks |
|--------------|--------------|--------------|---------|
| PCB | 268711B | Main PCB | |
| PCB | 268711F | External PCB | |
| PCB | 268711C | Adapter PCB | |
| PCB | 268711D | Fan PCB | |
| PCB | 268711E | Inverter PCB | |