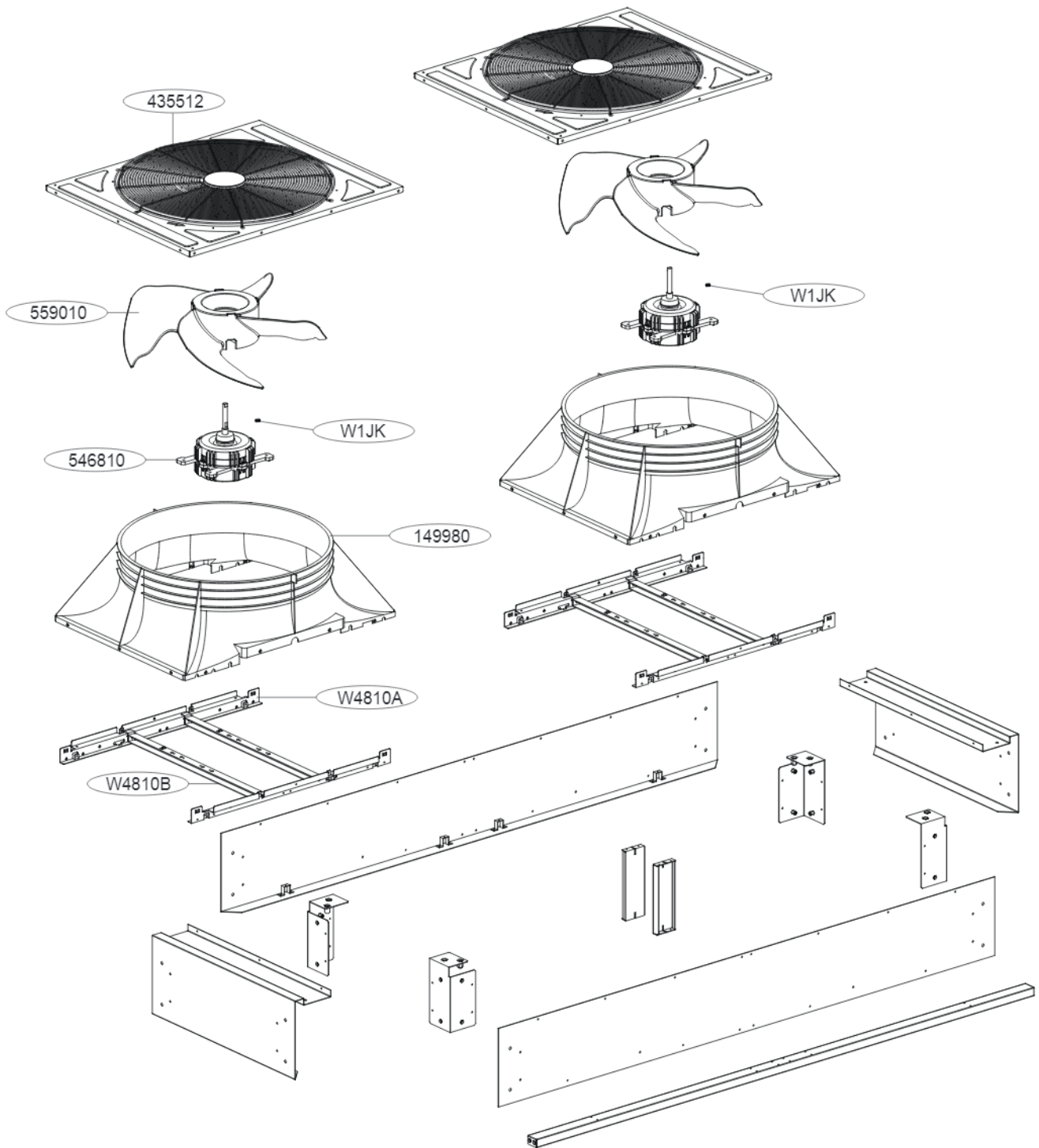


50,60,67 RT

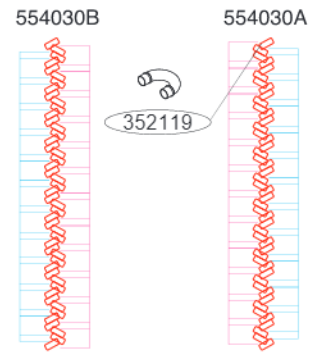


50,60,67 RT

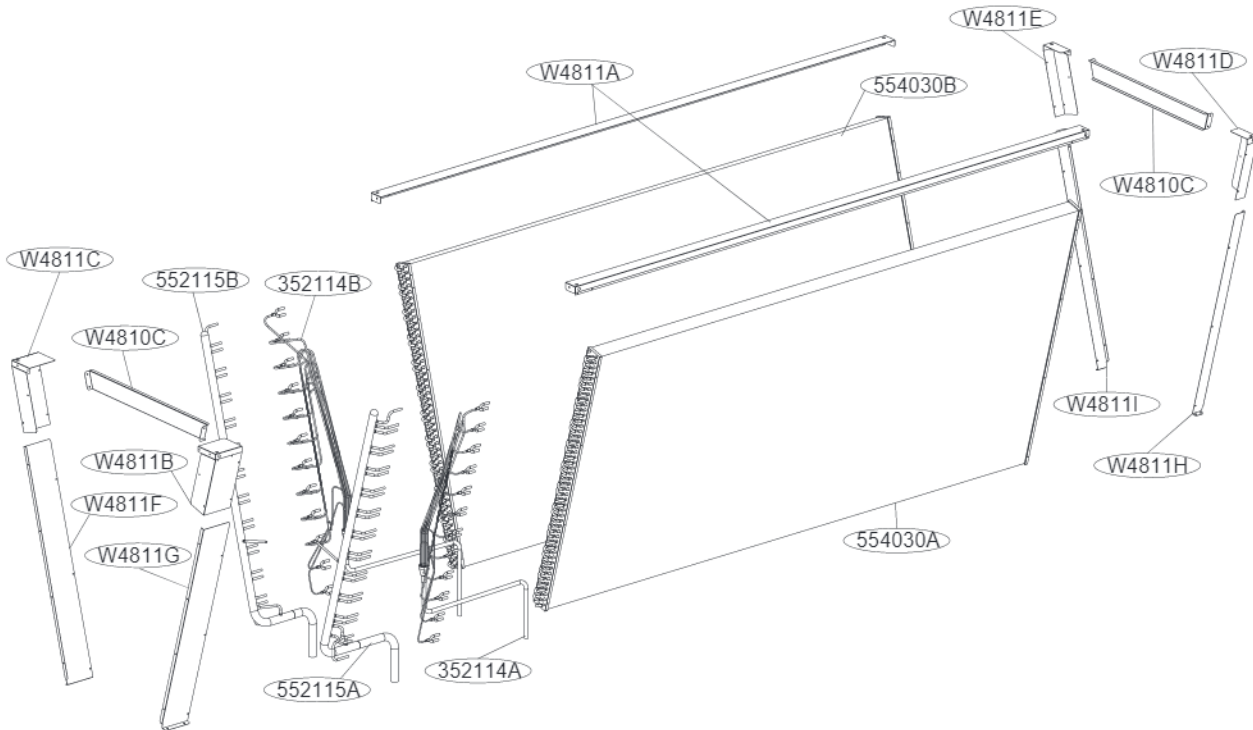
• Condenser Assembly Required parts

Condenser Module		
Description	L/No.	Qty
Condenser Assembly,First	554030A	1
Tube Assembly,Distributor	352114A	1
Tube Assembly,Manifold(Outdoor)	552115A	1
Condenser Assembly,First	554030B	1
Tube Assembly,Distributor	352114B	1
Tube Assembly,Manifold(Outdoor)	552115B	1

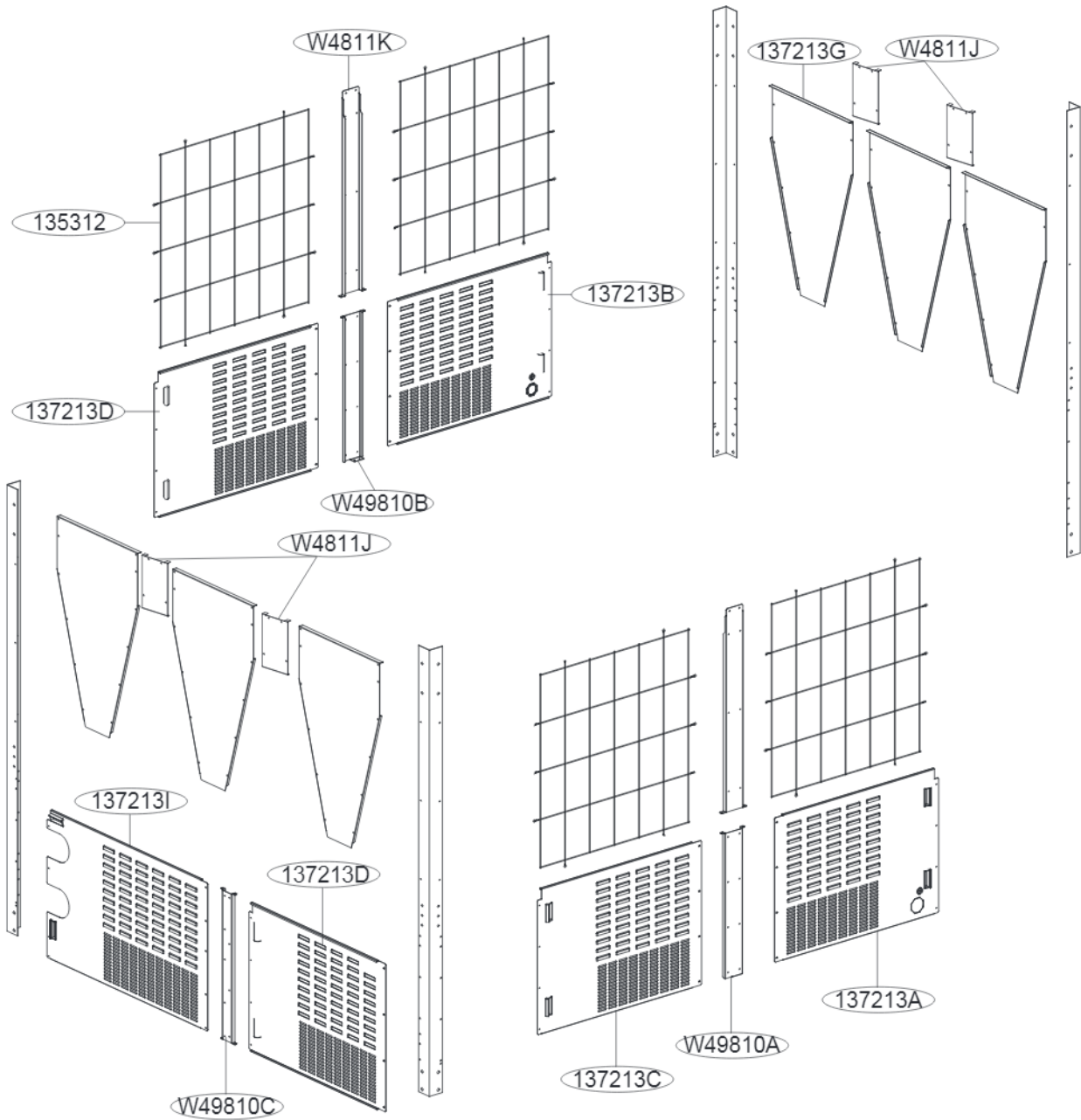
• Condenser Assembly



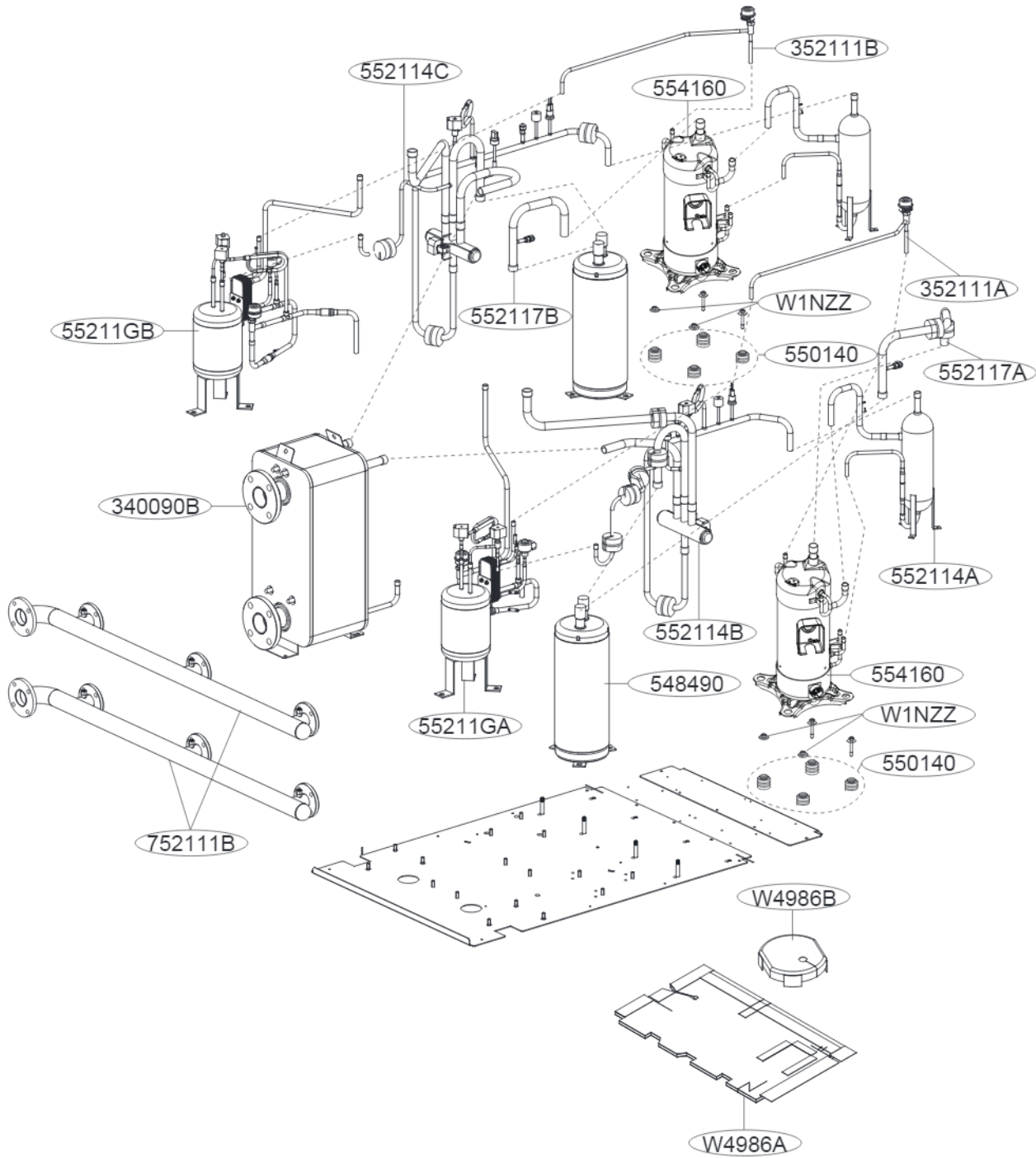
352114B 552115B 552115A 352114A



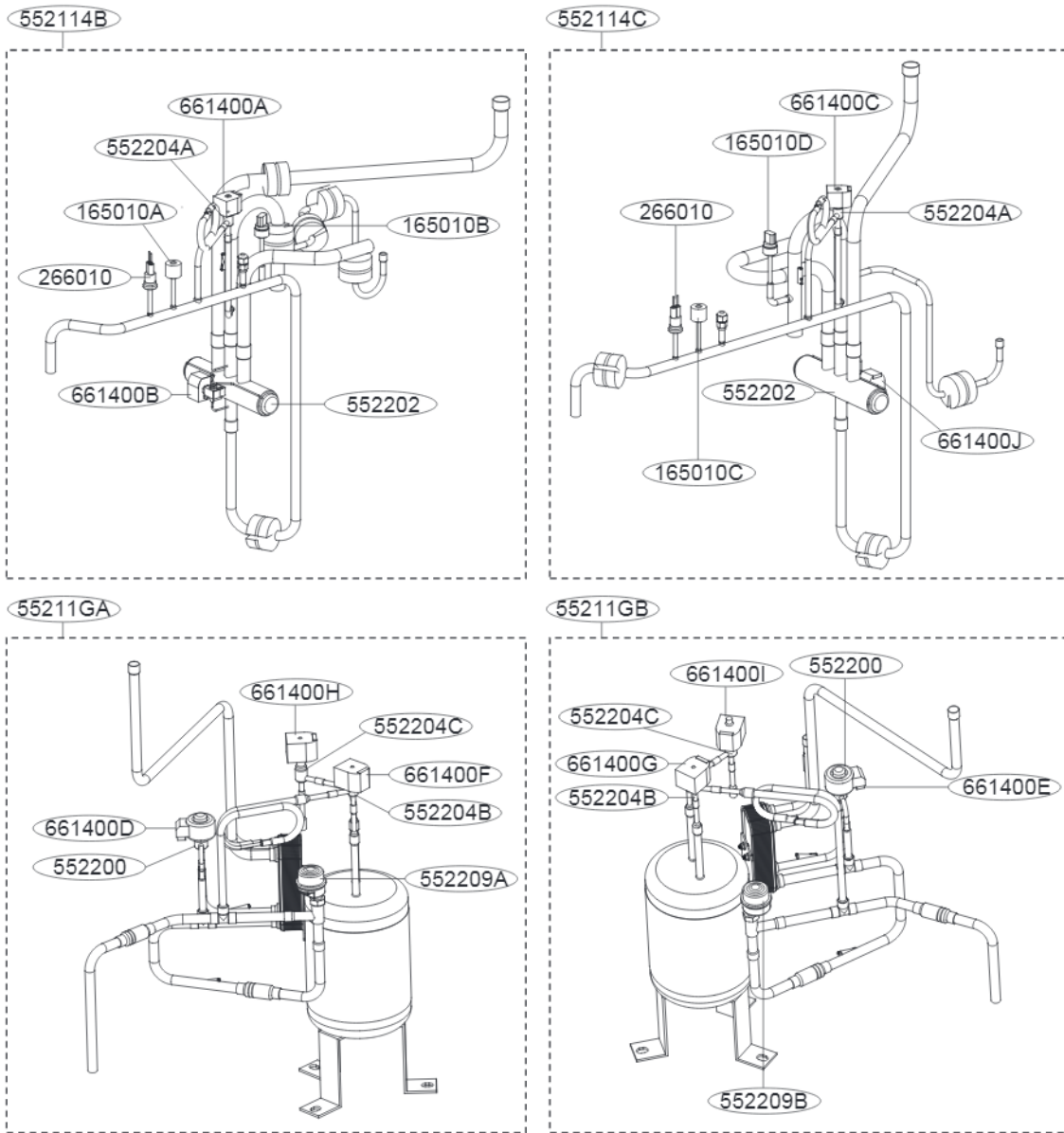
50,60,67 RT



50,60,67 RT

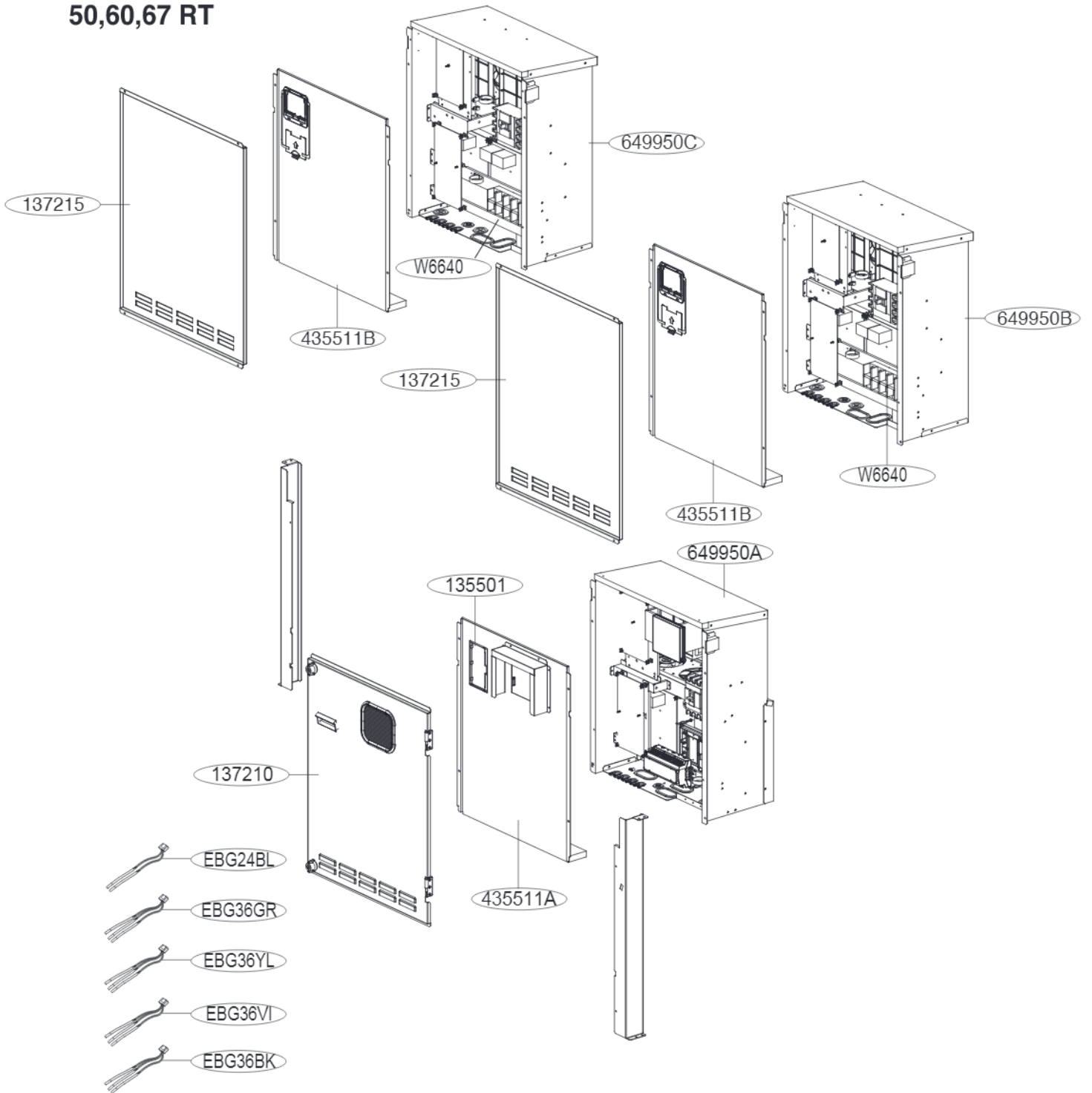


Valve, Sensor parts



Product name	Location No.	Positon	Housing Color
Switch Assembly.Pressure	266010	Discharge Pipe(High pressure)	Blue
Sensor Assembly	165010A	#1 Discharge Pipe(High pressure)	White
Sensor Assembly	165010B	#1 Suction Pipe(Low pressure)	Black
Sensor Assembly	165010C	#2 Discharge Pipe(High pressure)	Red
Sensor Assembly	165010D	#2 Suction Pipe(Low pressure)	Blue
Coil	661400A	#1 Hot gas	White
Coil	661400C	#2 Hot gas	Violet
Coil	661400B	#1 4Way	Violet
Coil	661400J	#2 4Way	Black
Coil	661400D	#1 SC EEV	Blue
Coil	661400E	#2 SC EEV	Gray
Coil	661400F	#1 Receiver in	Red
Coil	661400G	#2 Receiver in	White
Coil	661400H	#1 Receiver Out	Orange
Coil	661400I	#2 Receiver Out	Brown
Valve Assembly	552209A	#1 Main EEV	Red
Valve Assembly	552209B	#2 Main EEV	White

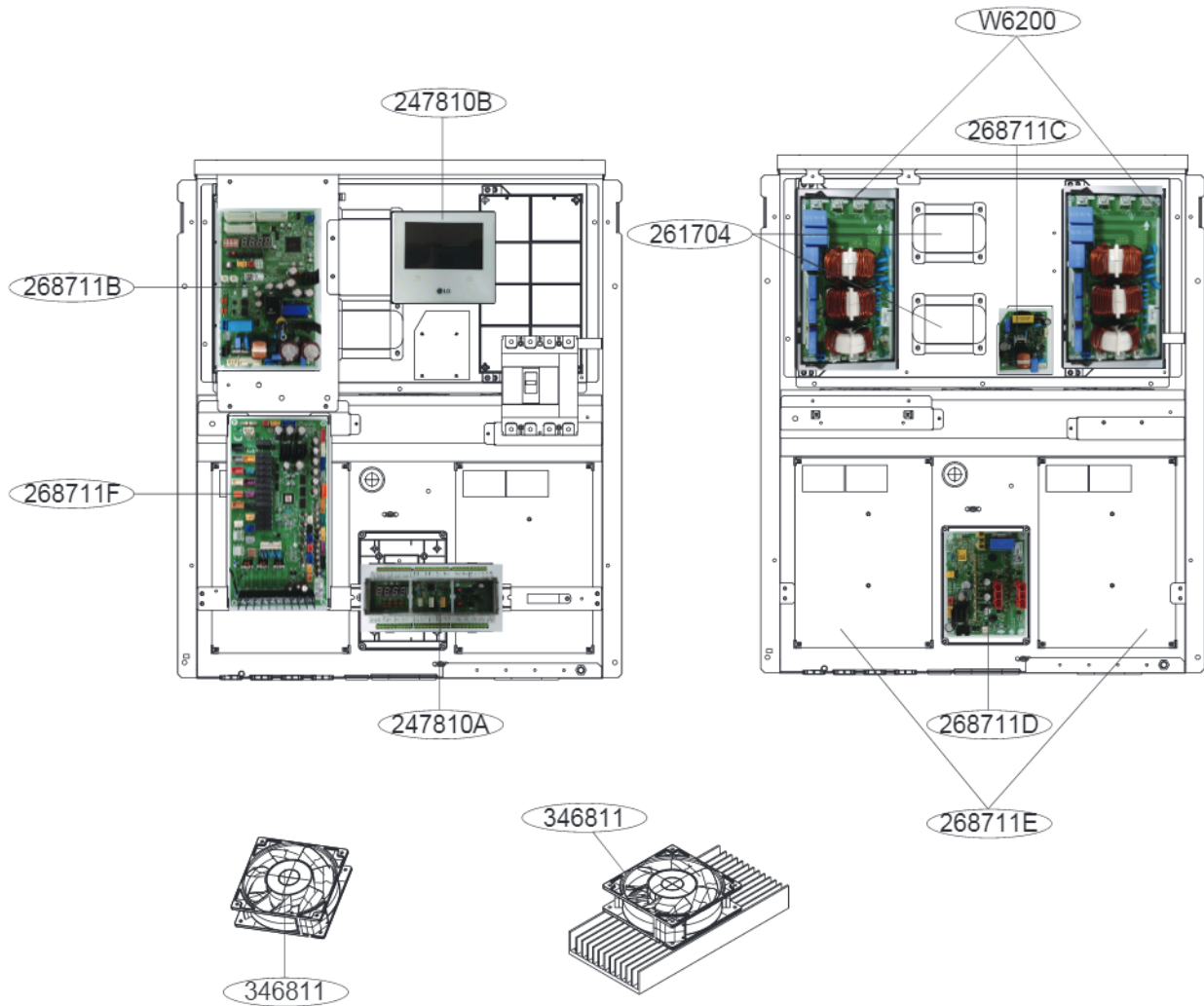
50,60,67 RT



Product name	Location No.	Position	Housing color
Thermistor Assembly,NTC	EBG24BL	Water Pipe Inlet+Outlet	Blue
Thermistor Assembly,NTC	EBG36GR	Comp1 Discharge+Liquid pipe +Suction pipe	Green
Thermistor Assembly,NTC	EBG36YL	Comp2 Discharge+Liquid pipe +Suction pipe	Yellow
Thermistor Assembly,NTC	EBG36VI	Comp1 Hex+SC Out + SC In	Violet
Thermistor Assembly,NTC	EBG36BK	Comp2 Hex+ SC Out + SC In	Black

## 6.6 Control Box Parts

### ■ Plate Type Heat Exchanger Model (ACHH\*\*\*LBAB)



Product name	Location No.	Position	Remarks
PCB	268711B	Main PCB	
PCB	268711F	External PCB	
PCB	268711C	Adapter PCB	
PCB	268711D	Fan PCB	
PCB	268711E	Inverter PCB	