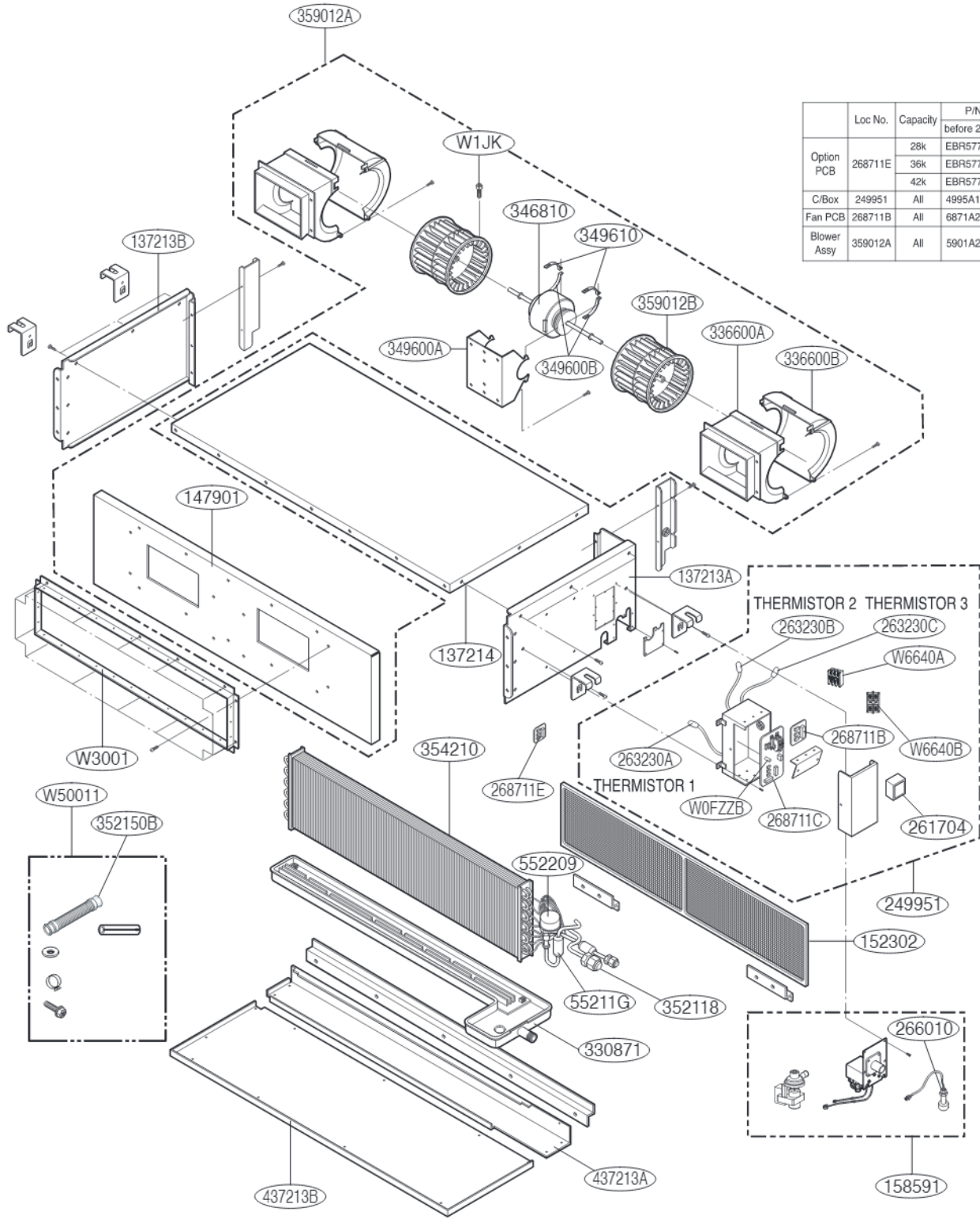


BG (Produced after 2012.12)
ARNU15/18GBGA2.ENWALEU



	Loc No.	Capacity	P/No. before 2012.11
Option PCB	268711E	28k	EBR57726707
		36k	EBR57726708
		42k	EBR57726709
C/Box	249951	All	4995A10209R
Fan PCB	268711B	All	6871A20912A
Blower Assy	359012A	All	5901A20053A

Thermistor 1	263230A	Air	Housing color : yellow
Thermistor 2	263230B	Eva. in	Housing color : white
Thermistor 3	263230C	Eva. out	Housing color : red