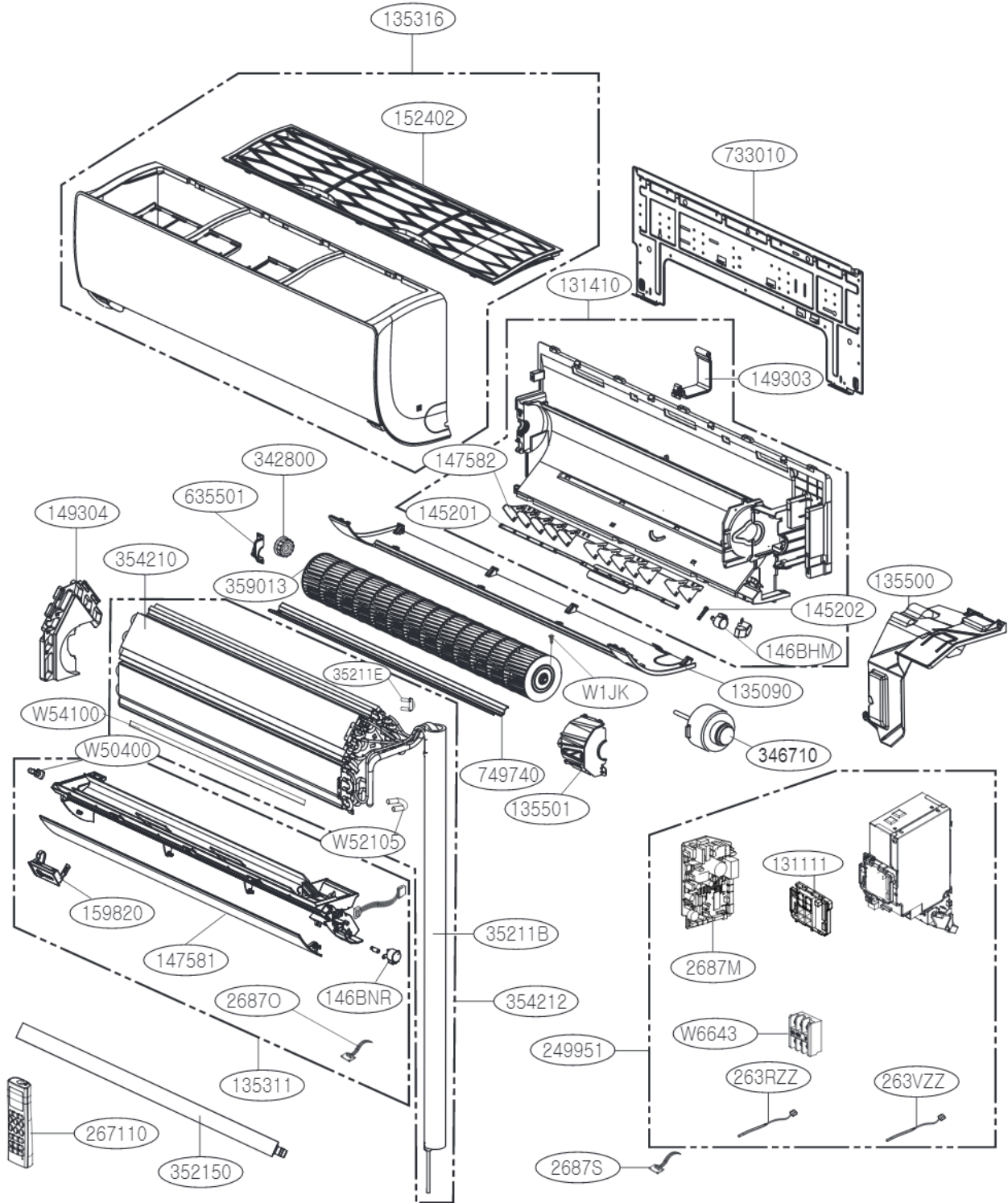


# Exploded View

Indoor Unit : ASNW186K1R0



LOC.	Descriptin	PCB Connector
263RZZ	Thermistor for indoor air temperature	CN-TH1 (INDOOR)
263VZZ	Thermistor for evaporating temperature	CN-TH3 (INDOOR)