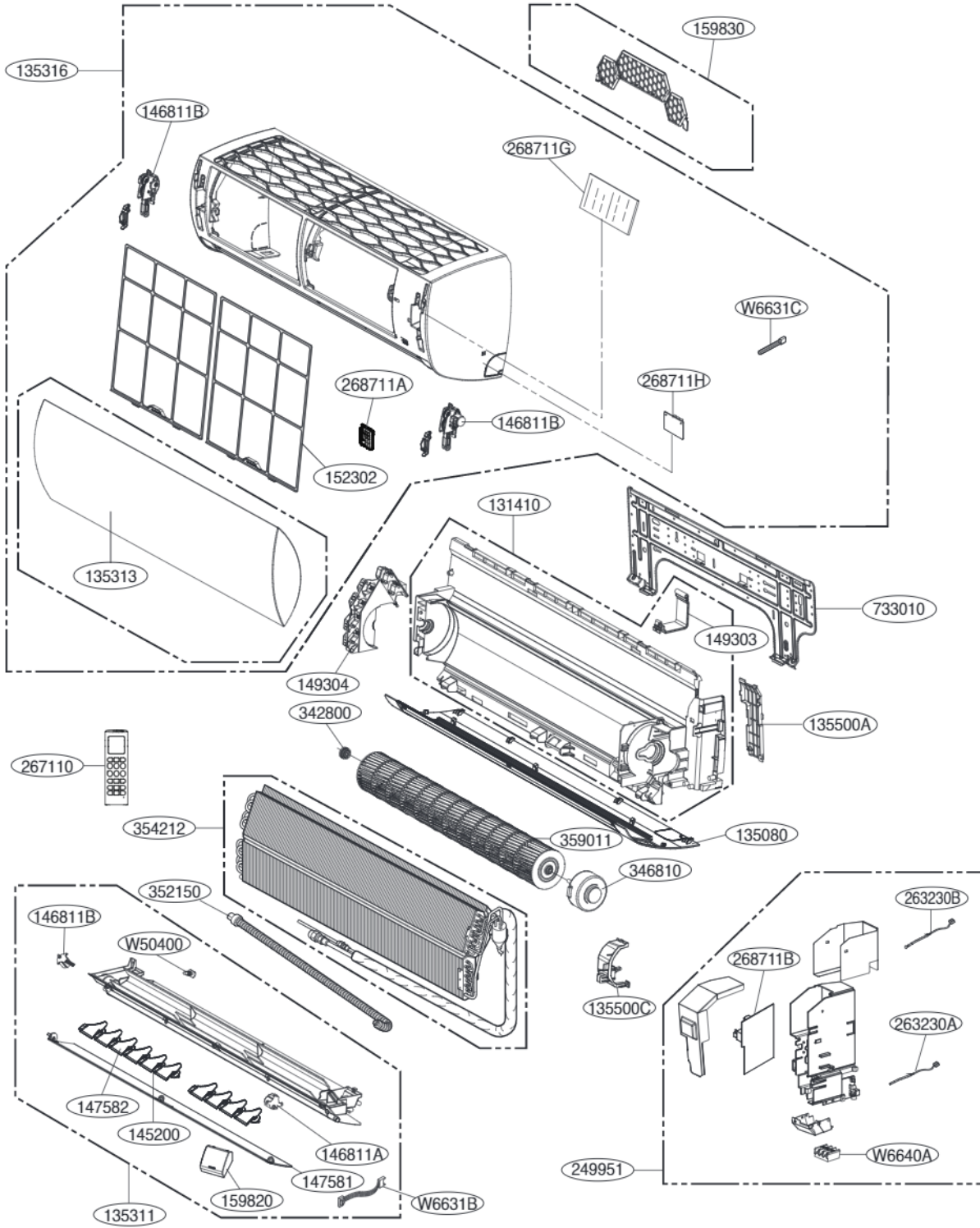


5. Exploded View

Indoor Unit



LOC.	Description	PCB Connector
263230A	Thermistor for indoor air temperature	CN-TH1 (INDOOR)
263230B	Thermistor for evaporating temperature	CN-TH3 (INDOOR)